



SCHWING

S 17

Truck-mounted concrete pump with placing boom



When bigger isn't better, fleet owners agree that the S 17 shines as a high utilization concrete pump. Operators use it as a versatile truck-mounted line pump by simply attaching hard pipe or flexible hose to the optional 180 degree rotating discharge elbow.

Or when the pour is on a second story, insert the versatile 270 degree articulating tip section into an opening and save the time of assembling a standpipe. Or up-

grade your customers from line pump jobs that can be reached with the 54-foot boom with 5-inch line. The compact size and maneuverability of the single-axle truck puts the S 17 where larger boom trucks can't work.

Here's why initial buyers of S 17 Schwings usually buy more than one. The return on investment can be faster because of its versatility. Pump indoors with the

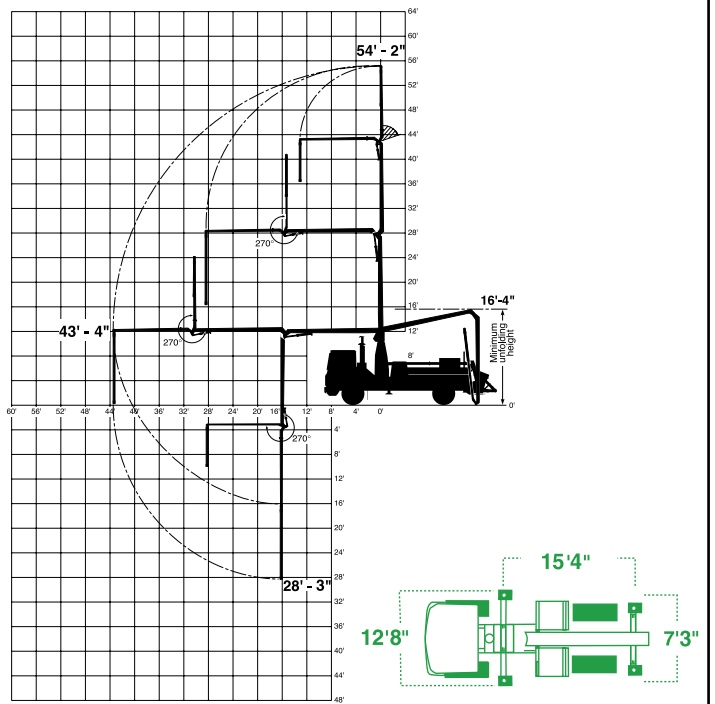
16'4" unfolding height and boom maneuverability, or fill in for larger pumps when reach isn't critical. Do the specialty work that big booms can't touch. Owners have placed the S 17 under bridges for slope paving, on barges, inside excavations and on dams because of its light weight and small size. It is the ultimate urban machine able to pump many residential jobs with short wheelbase and minimal set-up requirements. And the

S 17 is the first pump out in the spring when weight restrictions may affect travel. The S 17 is also a great learning tool for novice operators who learn the concrete pumping profession on a less intimidating machine while generating revenues. And because the S 17 is equipped with all the features of larger Schwings, operators move seamlessly between pumps in your fleet.

The S 17 delivers a lot without giving up an inch in technology. The three-section boom is controlled by the same Vector Control system used throughout the Schwing line. Twin joysticks provide precision proportional boom movement while an LED display on the remote box communicates critical information from pump to operator. The 2023-3 pumpkit delivers a smooth, controlled output up to 124 cubic yards per hour. And the tried and true Rock Valve™ continues to deliver the lowest operating costs per yard. Find out what other S 17 owners have discovered: it isn't always about boom size, but pump utilization. In many cases the S 17 is the right asset on many pours and may just become the most popular pump in your fleet.



Two new features on the S 17 are the standard hopper cover and optional 180-degree discharge elbow that rotates for convenient attachment of system.



Pump Kit on S 17

2023-3 110/75 SC

	US	Metric
Theor. Concrete Output	124 cy/hr	95 m ³ /hr
Max. Pressure on Concrete	1095 psi	75.5 bar
Max. Strokes/Min.	19	19
Pump Cylinder Diameter	9 in	230 mm
Pump Cylinder Stroke Length	79 in	2000 mm
Differential Cylinder Diameter	4.3 in	110 mm
Max. Aggregate Size	2.5 in	64 mm

Specifications are subject to change without prior notice

Boom Specifications

	US	Metric	
Pipeline Diameter	5"	125 mm	
Vertical Reach	54'-2"	17 m	
Reach from Slewing Axis	43'-4"	13 m	
Height of folding points	First Section	10"	3 m
	Second Section	29'-8"	10 m
	Third Section	43'-5"	13.2 m
Unfolding Height	16'-4"	5 m	
Slewing Range	380°	380°	
End hose length	12'	3.6 m	



SCHWING

5900 Centerville Road
St. Paul, MN 55127
Tel 1-888-SCHWING
Fax 612-429-3464
www.schwing.com

Represented by