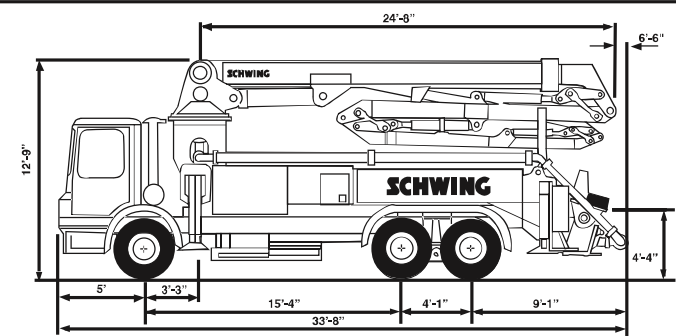
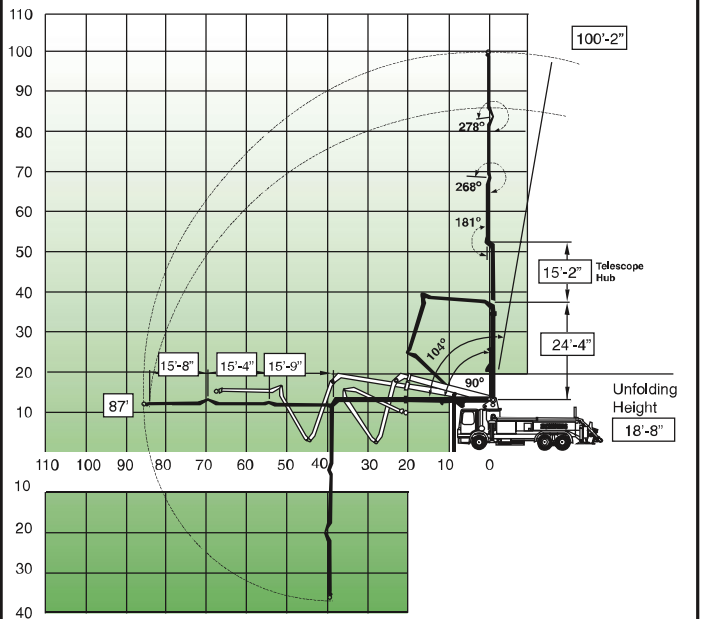




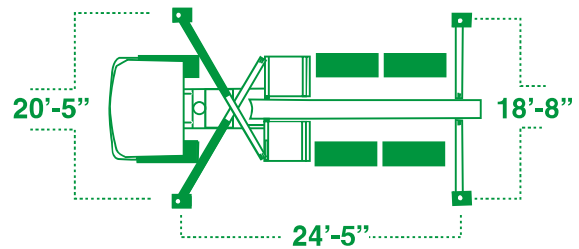
Pump Kit		2023-4
Theor. Concrete Output (cu.yds/hr)		170
Max. Pressure on Concrete (psi)		1007
Max. Strokes/Min.		26
Pump Cylinder Diameter (in.)		9
Pump Cylinder Stroke Length (in.)		7.9
Differential Cylinder Size (in.)		5.1
Max. Aggregate Size (in.)		2.5
Hydraulic System Pressure (psi)		5075

Boom Specifications	U.S.	Metric
Pipeline Diameter	5"	125 mm
Vertical Reach	100'-2"	31 m
Reach from Slewling Axis	87'	27 m
Height of Folding Point (#1 hub)	12'-3"	32 m
Height of other 3 folding points	#1 retracted	#1 extended
Pivot between #1 and #2	36'-9"	52'-0"
Pivot between #2 and #3	52'-8"	67'-11"
Pivot between #3 and #4	68'-1"	83'-2"
Minimum Unfolding Height	18'-8"	5.7 m
Slewling Range ^a	545°	545°
End hose length	12'-6"	3.8 m

Specifications are subject to change without prior notice. ^a Electrical wire/hydraulic hose limitations



Maximum stability in the smallest space is provided by the "X" style hydraulic outriggers.



SCHWING
AMERICA INC.

5900 Centerville Road
St. Paul, MN 55127
Tel 651-429-0999
Fax 651-429-3464
www.schwing.com

Represented by